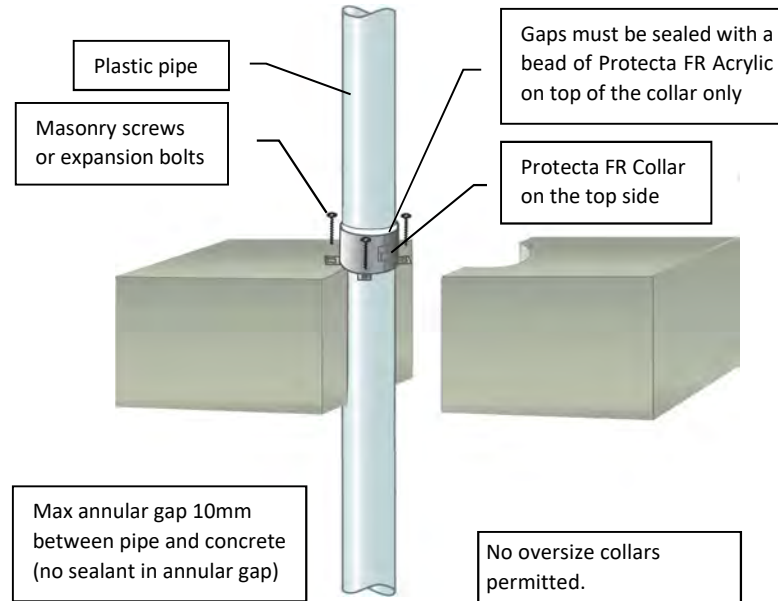


Protecta FR Collar - Top-fixed - Plastic Pipe in Concrete Floor Slab or Composite Floor See pg 2 for PVC, HDPE, PEX, PP, PP-R, etc

Installation Instructions

1. A single pipe collar is installed on the top of the floor.
2. Place a pipe collar around the service penetration (pipe) and ensure that the fixing lugs are positioned tightly to the surface of the floor so that the fixings can be inserted fully.
3. Where the surface is uneven, apply a sealing bead of Protecta® FR Acrylic between the floor and the collar shell (but not in the annular space).
4. Attach the pipe collar with steel screws or fixings that are suitable for the substrate that the pipe collar will be fitted to.
5. After fitting the collar ensure that any gaps between the pipe and the top side of the collar are sealed with a bead of Protecta® FR Acrylic to cover the opening. Do not apply sealant to annular gap as this will inhibit the operation of the intumescent product in the FR Collar.



System/FPA Register ID# FC444

Products	Protecta FR Collar
Application	Fire stopping of plastic pipes in rigid floors - collar top-fixed
Construction	Minimum floor thickness of 100mm* and comprise aerated concrete or concrete with a minimum density of 650kg/m ³

Fire & Sound Classification

Fire classifications in table on page 2.

*FRRs shown are for a 150mm floor. Where the FRR of a thinner floor is less than these ratings then the Collar rating must be reduced to the FRR of the floor.

Sound reduction (seal only) STC 58



Protecta®

Polyseam Ltd, 15 St Andrews Road,
 Huddersfield, West Yorkshire, HD1 6SB

Tel: +44 (0) 148 4421036

Email: post.uk@polyseam.com

Sheet size: A4	Drawn date & no: 28/7/20
--------------------------	-----------------------------

Scale: NTS	Drawn by: K.B
----------------------	------------------

As a part of our policy of on-going product development and testing, we reserve the right to modify, alter or change product specifications without giving notice. All information contained in this document is given in good faith and is provided for guidance only. Any drawings provided are for illustrative purposes only. As Polyseam has no control over the methods or competence of installation and of prevailing site conditions, no warranties, expressed or implied, is intended to be given as to the actual performance of the product mentioned or referred to herein and no liability whatsoever will be accepted for any loss, damage or injury arising from the use of the information given.

For all technical details on the products specified please refer to the technical data sheets that can be found on www.firestopcentre.co.nz

Signed and approved:

System/FPA Register ID# FC444

Products	Protecta FR Collar
Application	Fire stopping of plastic pipes in rigid floors - collar top-fixed
Construction	Minimum floor thickness of 100mm* and comprise aerated concrete or concrete with a minimum density of 650kg/m ³

Fire & Sound Classification

Fire classifications in table opposite.

*FRRs shown are for a 150mm floor. Where the FRR of a thinner floor is less than these ratings then the Collar rating must be reduced to the FRR of the floor.

 Sound reduction (seal only) STC 58


Protecta[®]

Polyseam Ltd, 15 St Andrews Road,
 Huddersfield, West Yorkshire, HD1 6SB
 Tel: +44 (0) 148 4421036
 Email: post.uk@polyseam.com

Sheet size: A4	Drawn date & no: 28/7/20
Scale: NTS	Drawn by: K.B

Services	Wall thickness	Collar Height	Classification	Closed Systems Only	
				Collar Height	Classification
PVC-U, PVC-C and similar					
Up to 50mm diam	Up to 3.7mm			50mm	FRR -/240/240
Up to 110mm diam	Up to 6.6mm			50mm	FRR -/120/120
Up to 160mm diam	Up to 9.5mm			60mm	FRR -/240/180
PE, PE-LD, PE-MD, PE-HD, PE-X, ABS, SAN+PVC and similar					
Up to 50mm diam	Up to 4.6mm			50mm	FRR -/240/240
Up to 110mm diam	Up to 10.0mm			50mm	FRR -/240/60
Up to 160mm diam	Up to 9.5mm			60mm	FRR -/60/60
PP, PP-MV, PP-H, PP-R and similar					
Up to 50mm diam	Up to 4.6mm			50mm	FRR -/240/180
Up to 110mm diam	Up to 10.0mm			50mm	FRR -/180/90
Up to 160mm diam	Up to 14.6mm			60mm	FRR -/240/60



warringtonfire

FAS 190125 AS1530.4-2014

ETA 21/0070

As a part of our policy of on-going product development and testing, we reserve the right to modify, alter or change product specifications without giving notice. All information contained in this document is given in good faith and is provided for guidance only. Any drawings provided are for illustrative purposes only. As Polyseam has no control over the methods or competence of installation and of prevailing site conditions, no warranties, expressed or implied, is intended to be given as to the actual performance of the product mentioned or referred to herein and no liability whatsoever will be accepted for any loss, damage or injury arising from the use of the information given.

For all technical details on the products specified please refer to the technical data sheets that can be found on www.firestopcentre.co.nz

Signed and approved: